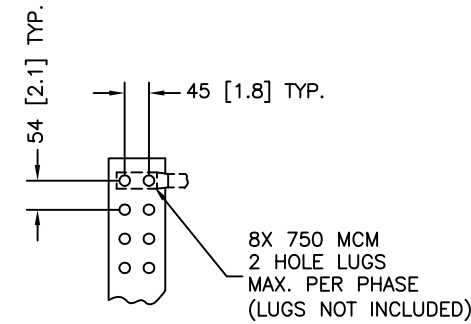


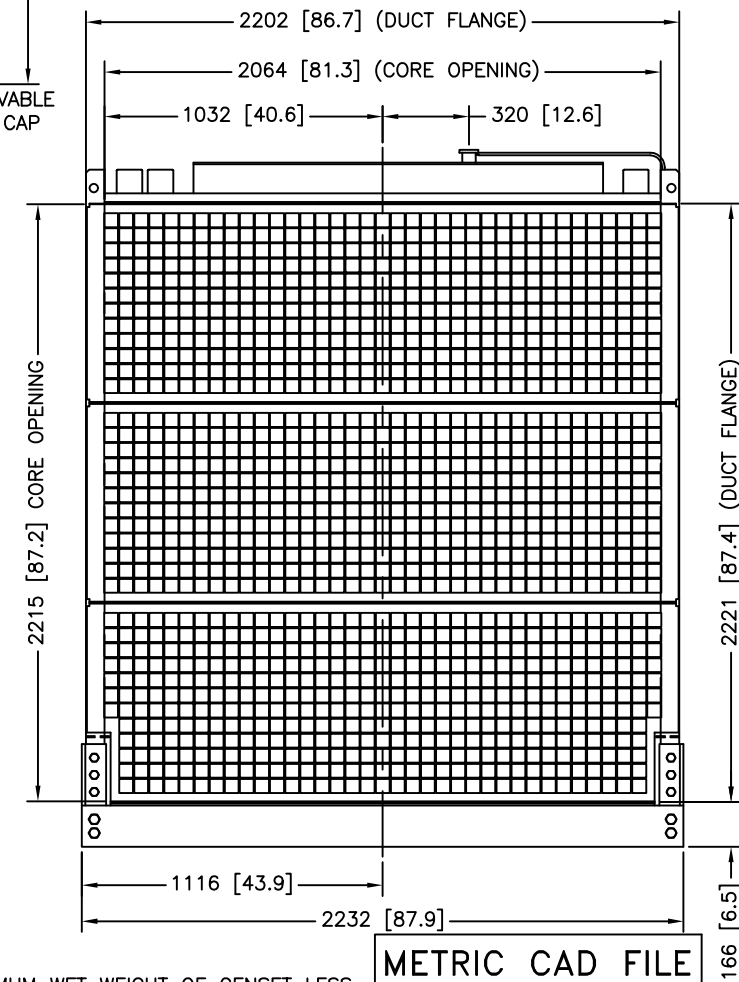
**INSTALLATION NOTE**  
 IF IBC CERTIFICATION IS REQUIRED SEE SEISMIC ADV FOR INSTALLATION INSTRUCTIONS

**INSTALLATION NOTE**  
 IF SUBBASE FUEL TANK AND/OR SOUND HOUSING IS USED, REFER TO SUBBASE FUEL TANK ADV TO DETERMINE MOUNTING LOCATIONS.

REV	DATE	REVISION	BY
F	11-4-08	(C-7) BREAKER NOTE REMOVED, SEE SHEET 4 [85935-1]	SAM
G	2-11-09	(A-5) 5482 [215.8] WAS 5492 [216.2]. [86811-3]	GFR
H	8-13-09	(A-8) #24.0 WAS #22.2 (D-4) IBC NOTE ADDED [87262-8]	SAM
J	3-5-10	AIR CLEANER & MTG VIEWS UPDATED [89039]	SAM



BUS CONNECTIONS  
 L0, L1, L2, & L3 TYP.



NOTE:  
 MAXIMUM WET WEIGHT OF GENSET LESS ACCESSORIES: 14334 KG [31600 LBS].

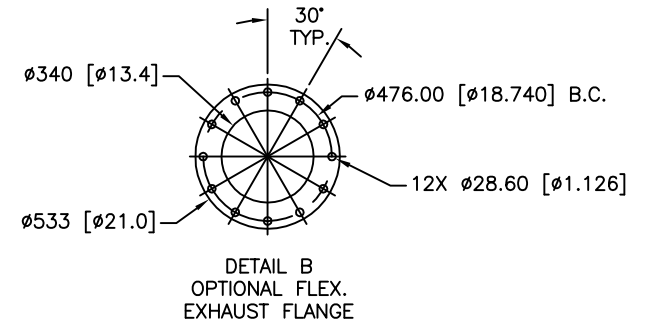
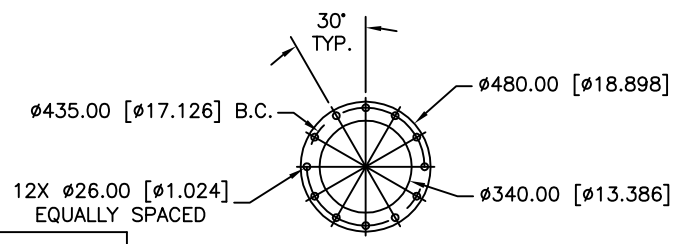
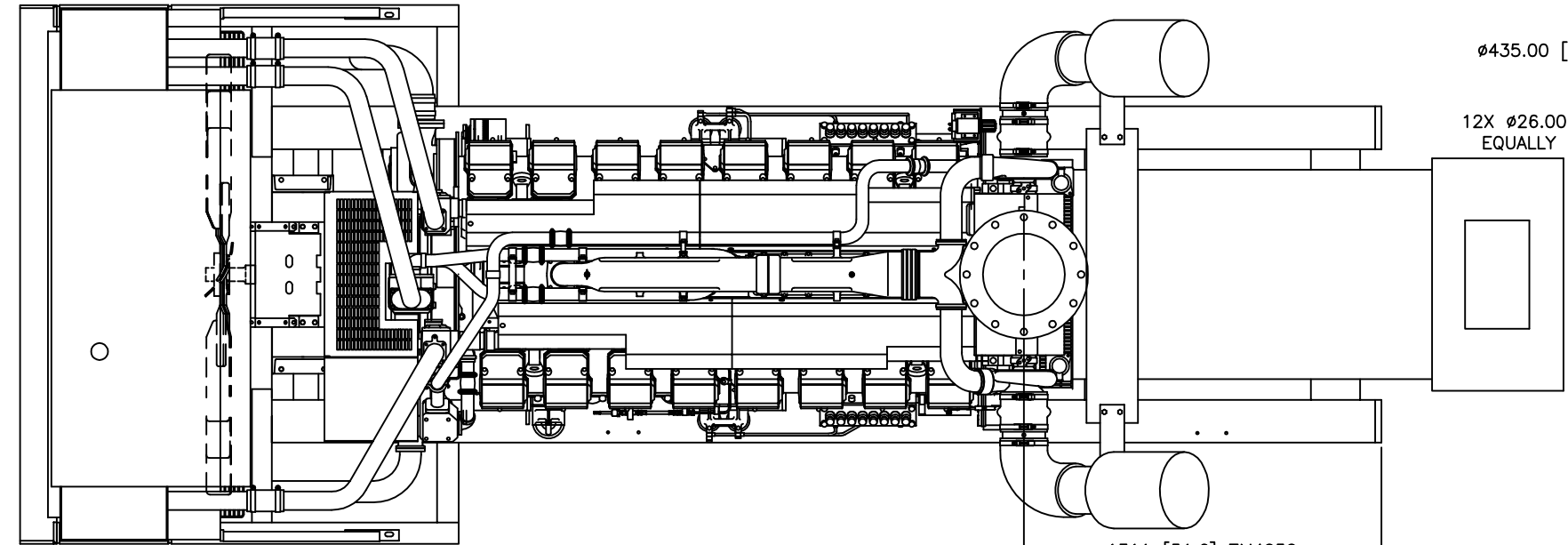
**METRIC CAD FILE**

UNLESS OTHERWISE SPECIFIED -		SURFACE FINISH	
1) DIMENSIONS ARE IN MILLIMETERS		X.X ±	MAX.
2) TOLERANCES ARE:		X.X ±	MAX.
3) ANGLES ±		X ±	MAX.
THIRD ANGLE PROJECTION		TITLE	
APPROVALS	DATE	DIMENSION PRINT	
DRAWN RAC	11-9-06	SCALE	OB XP
CHECKED JMS	11-9-06	CAD NO.	ADV7298A.DWG
APPROVED JSA	11-9-06	DWG. NO.	ADV-7298
DRAWN		SHEET 1-5	
CHECKED		PLOTTED DATE	
APPROVED		1	

NOTE: DIMENSIONS IN [ ] ARE INCH EQUIVALENTS.

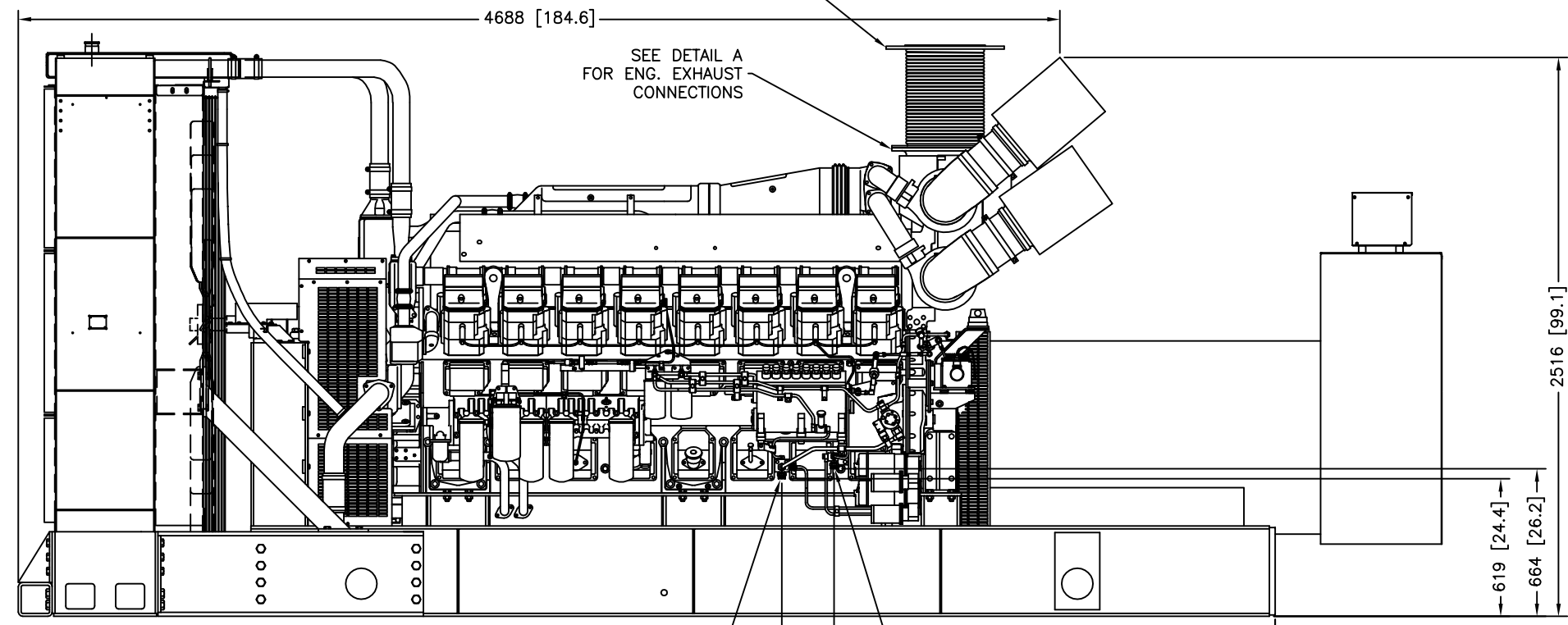
1600 TIER II MODEL  
 40C & 50C COOLING SYSTEM

REV	DATE	REVISION	BY
F	11-4-08	SEE SHEETS 1 AND 4 [85935-1]	SAM
G	2-11-09	(C-5) 1311 [51.6] WAS 1321 [52.0] (A-5) 1811 [71.3] WAS 1821 [71.7] AND 2046 [80.6] WAS 2056 [80.9], [86811-3]	GFR
H	8-13-09	SEE SHEETS 1 AND 3 [87262-8]	SAM
J	3-5-10	AIR CLEANER & MTG VIEWS UPDATED [89039]	SAM



21" FLOATING FLANGE  
SEE DETAIL B

1311 [51.6] 7M4050  
1486 [58.5] 7M4052, 54, 4174, 4176, 4290, 4368, 70



4688 [184.6]

SEE DETAIL A FOR ENG. EXHAUST CONNECTIONS

FUEL INLET  
3/4 N.P.T.

FUEL RETURN  
3/4 N.P.T.

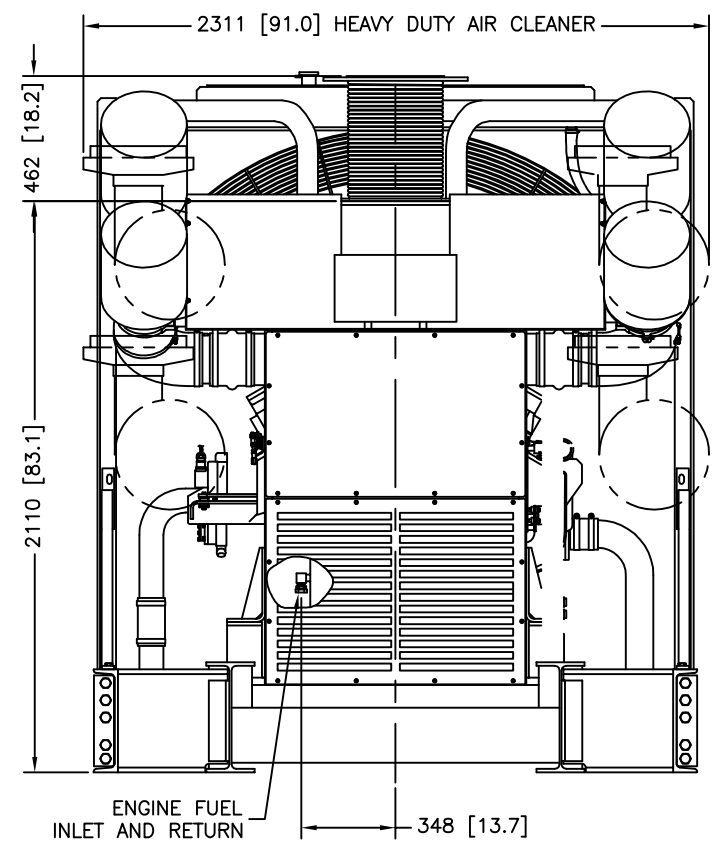
1811 [71.3] 7M4050  
1986 [78.2] 7M4052, 54, 4174, 76, 4290, 4368, 70

2046 [80.6] 7M4050  
2221 [87.4] 7M4052, 54, 4174, 76, 4290, 4368, 70

2516 [99.1]

619 [24.4]

664 [26.2]



2311 [91.0] HEAVY DUTY AIR CLEANER

462 [18.2]

2110 [83.1]

ENGINE FUEL INLET AND RETURN

348 [13.7]

METRIC CAD FILE

NOTE: DIMENSIONS IN [ ] ARE INCH EQUIVALENTS.

1600 TIER II MODEL  
40C & 50C COOLING SYSTEM

UNLESS OTHERWISE SPECIFIED -  
1) DIMENSIONS ARE IN MILLIMETERS  
2) TOLERANCES ARE:  
XXX ±  
XX ±  
X ±  
ANGLES ±

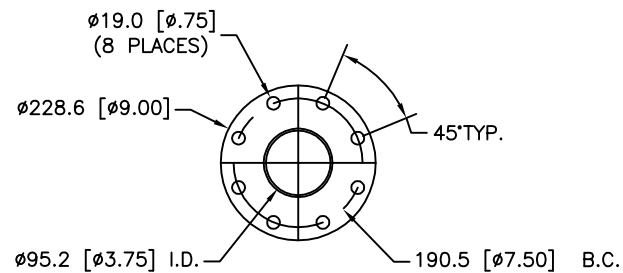
SURFACE FINISH  
✓ MAX.

THIRD ANGLE PROJECTION

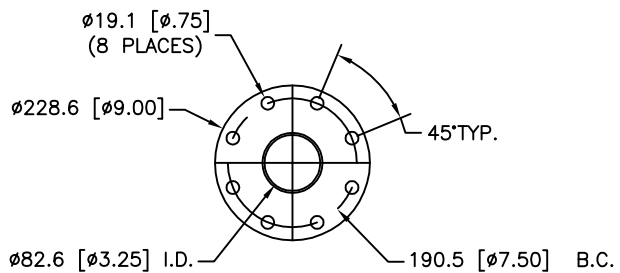
APPROVALS	DATE	TITLE
DRAWN RAC	11-9-08	DIMENSION PRINT
CHECKED JMS	11-9-08	SCALE .08 XP CAD NO. ADV7298B.DWG SHEET 2-5
APPROVED JSA	11-9-08	DWG. NO. ADV-7298 PLOTTED DATE

POWER SYSTEMS, KOHLER, WI 53044 U.S.A.  
THIS DRAWING, IN DESIGN AND DETAIL, IS KOHLER CO. PROPERTY AND MUST NOT BE USED EXCEPT IN CONNECTION WITH KOHLER CO. WORK. ALL RIGHTS OF DESIGN OR INVENTION ARE RESERVED.

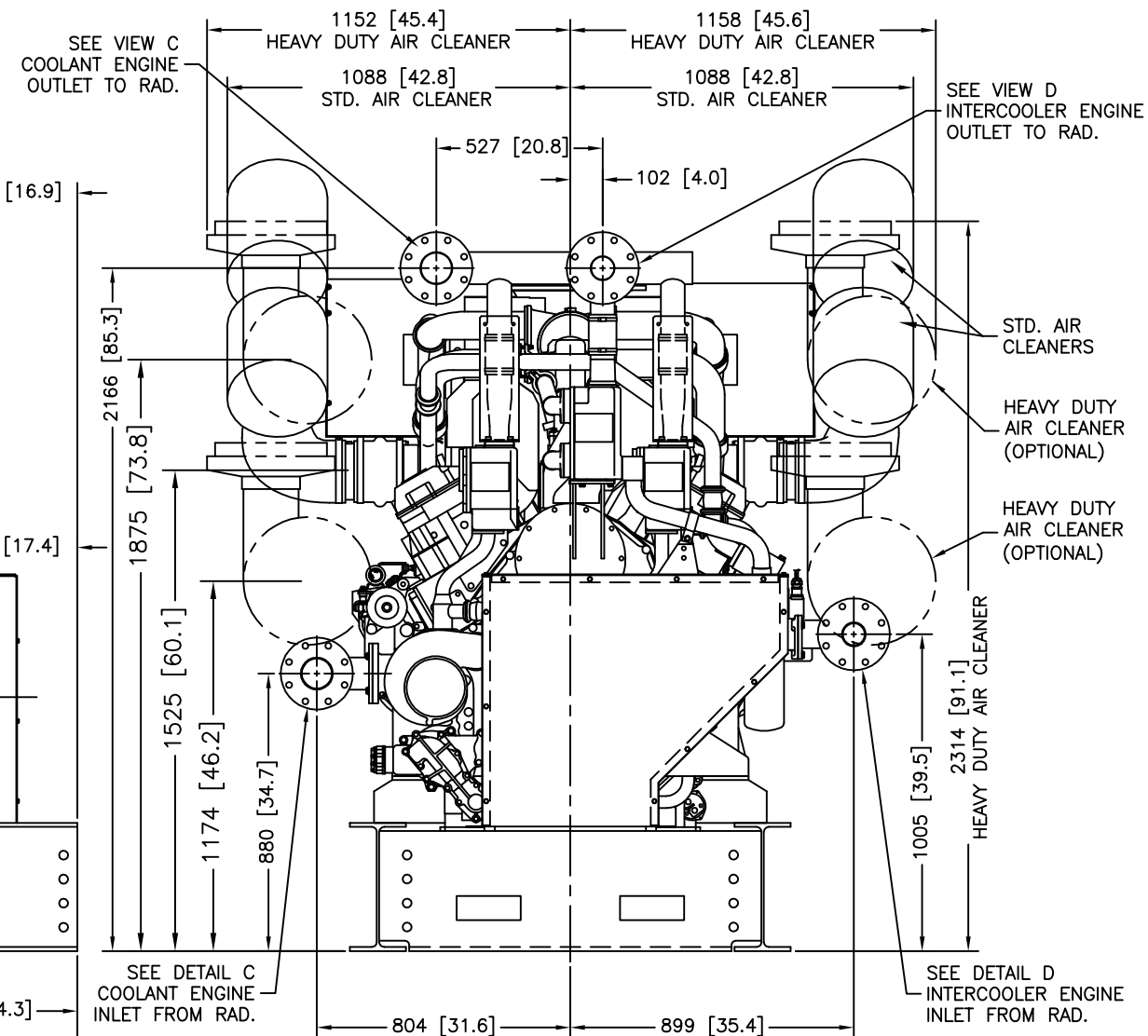
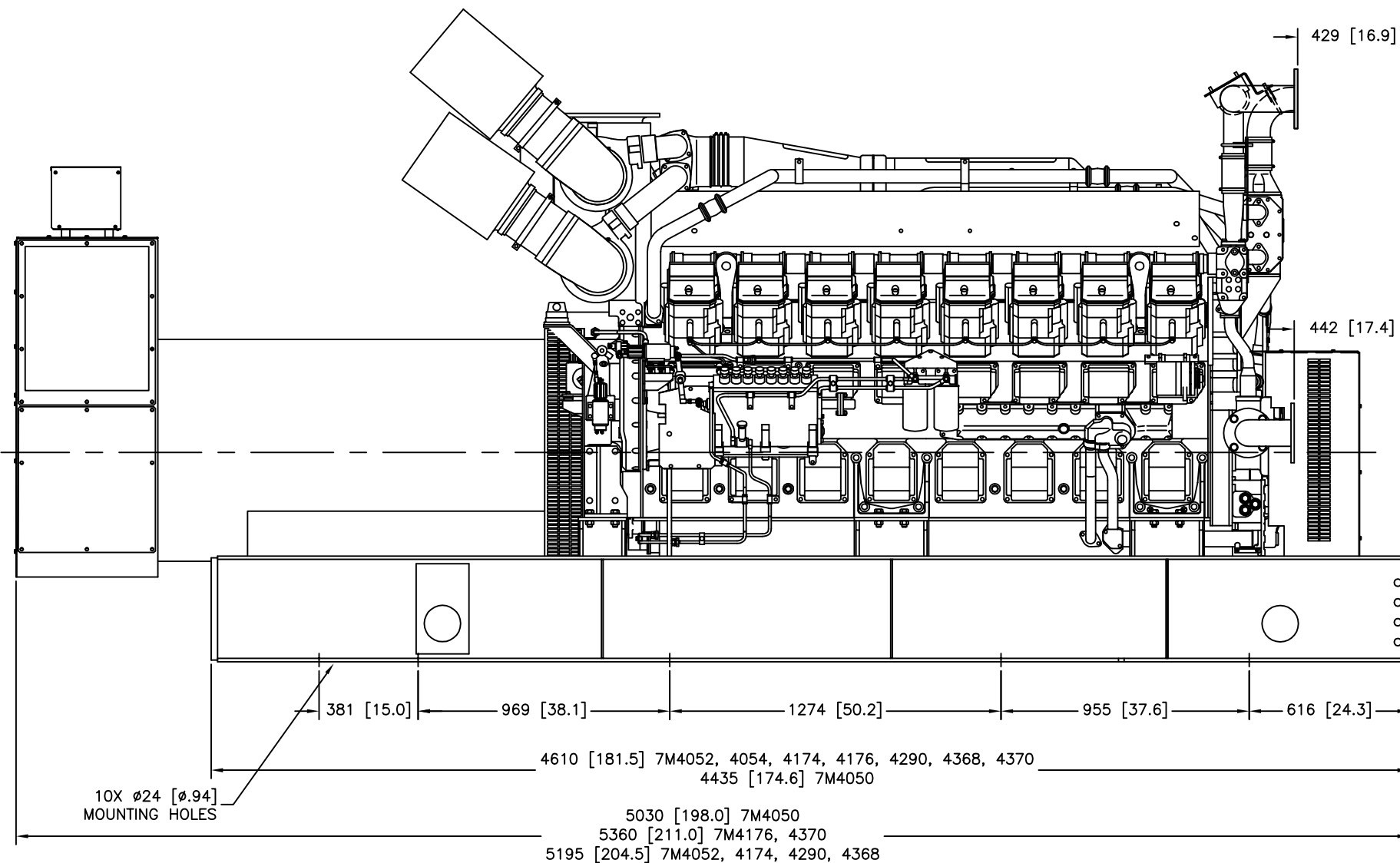
REV	DATE	REVISION	BY
F	11-4-08	SEE SHEETS 1 AND 4 [85935-1]	SAM
G	2-11-09	(B-5) 4435 [174.6] WAS 4445 [175.0]. [86811-3]	GFR
H	8-13-09	(A-8) #24 WAS #22, SEE SHEET 1 [87262-B]	SAM
J	3-5-10	AIR CLEANER & MTG VIEWS UPDATED [89039]	SAM



DETAIL C



DETAIL D



METRIC CAD FILE

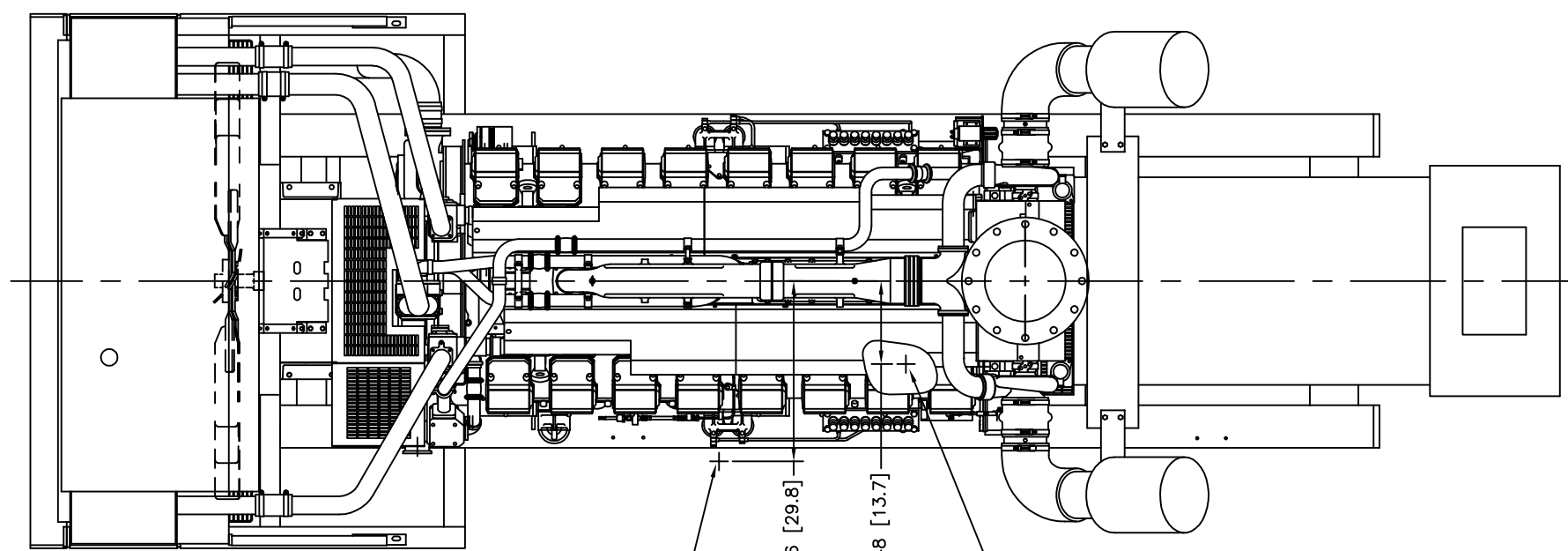
NOTES:  
 1) FOR PLAN VIEW SEE SHEET 1.  
 2) DIMENSIONS IN [ ] ARE INCH EQUIVALENTS.

1600 TIER II MODEL  
 ADV-7298

UNLESS OTHERWISE SPECIFIED - 1) DIMENSIONS ARE IN MILLIMETERS 2) TOLERANCES ARE: X.XX ± X.X ± X ± ANGLES ±		SURFACE FINISH ✓ MAX.		TITLE <b>KOHLER CO.</b> POWER SYSTEMS, KOHLER, WI 53044 U.S.A. THIS DRAWING, IN DESIGN AND DETAIL, IS KOHLER CO. PROPERTY AND MUST NOT BE USED EXCEPT IN CONNECTION WITH KOHLER CO. WORK. ALL RIGHTS OF DESIGN OR INVENTION ARE RESERVED.	
THIRD ANGLE PROJECTION		APPROVALS		DATE	
DRAWN RAC		CHECKED JMS		APPROVED JSA	
11-9-06		11-9-06		11-9-06	
SCALE 0.1		CNO NO. ADV7298C.DWG		SHEET 3-5	
DWG. NO. ADV-7298		PLOTTED DATE		D	

8 7 6 5 4 3 2 1

REV	DATE	REVISION	BY
F	11-4-08	SEE SHEETS 1 AND 4 [85935-1]	SAM
G	2-11-09	(A-4) 1811 [71.3] WAS 1821 [71.7] AND 2595 [102.2] WAS 2605 [102.6]. [86811-3]	GFR
H	8-13-09	SEE SHEETS 1 AND 3 [87262-8]	SAM
J	3-5-10	AIR CLEANER & MTG VIEWS UPDATED [89039]	SAM



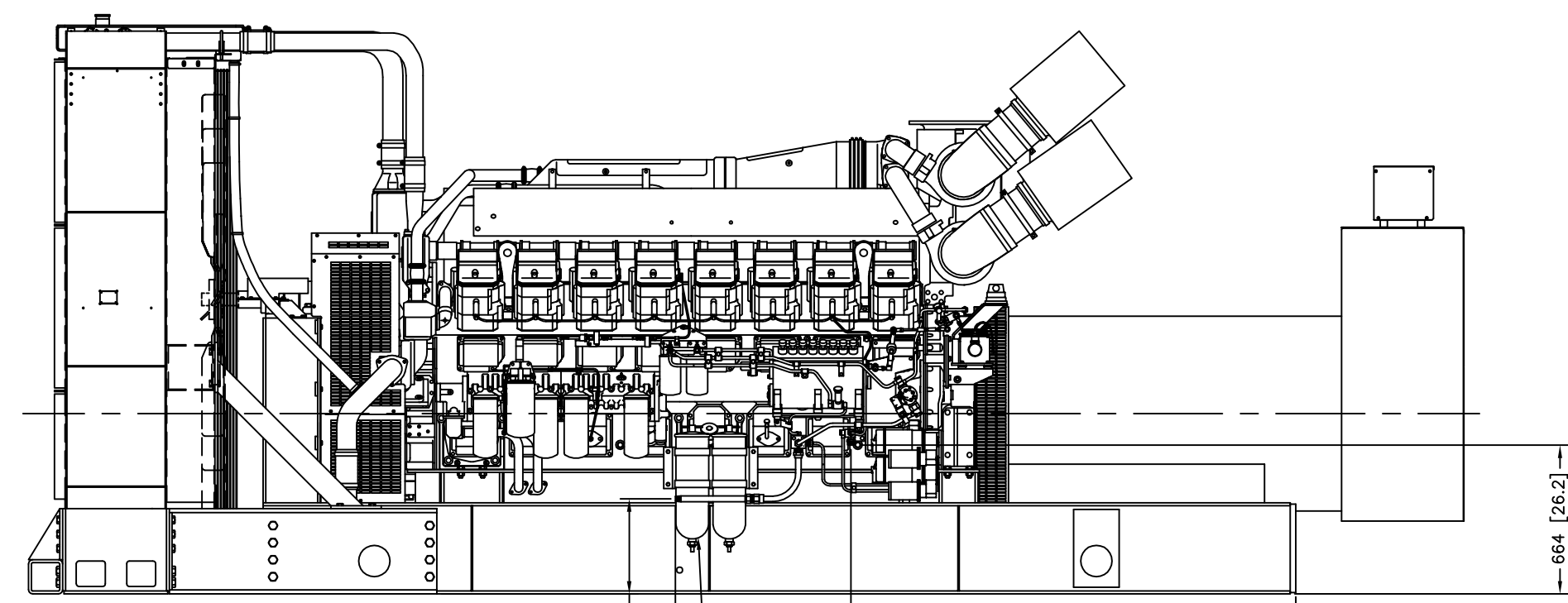
3/4" N.P.T. FUEL INLET CONNECTION

756 [29.8]

348 [13.7]

FUEL RETURN

OPTIONAL FUEL INLET AND RETURN LOCATIONS



425 [16.7]

FUEL/WATER SEPARATOR

1811 [71.3] 7M4050

1986 [78.2] FUEL RETURN

2595 [102.2] 7M4050

2770 [109.0] FUEL/WATER SEPARATOR INLET

664 [26.2]

FUEL AND WATER SEPARATOR

NOTE: DIMENSIONS IN [ ] ARE INCH EQUIVALENTS.

METRIC CAD FILE

UNLESS OTHERWISE SPECIFIED -		SURFACE FINISH		TITLE	
1) DIMENSIONS ARE IN MILLIMETERS		XXX ±		POWER SYSTEMS, KOHLER, WI 53044 U.S.A.	
2) TOLERANCES ARE:		✓ MAX.		THIS DRAWING, IN DESIGN AND DETAIL, IS KOHLER CO. PROPERTY AND MUST NOT BE USED EXCEPT IN CONNECTION WITH KOHLER CO. WORK. ALL RIGHTS OF DESIGN OR INVENTION ARE RESERVED.	
X.XX ±		X ±		DIMENSION PRINT	
X ±		ANGLES ±		DRAWN RAC 11-9-06	
THIRD ANGLE PROJECTION		APPROVALS		SCALE .08 XP CAD NO. ADV7298E.DWG SHEET 5-5	
DATE		DATE		DWG. NO. ADV-7298	
CHECKED JMS 11-9-06		APPROVED JSA 11-9-06		PLOTTED DATE	
APPROVED JSA 11-9-06				1	

1600 TIER II MODEL  
40C & 50C COOLING SYSTEM

8 7 6 5 4 3 2 1